







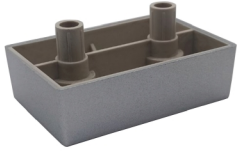

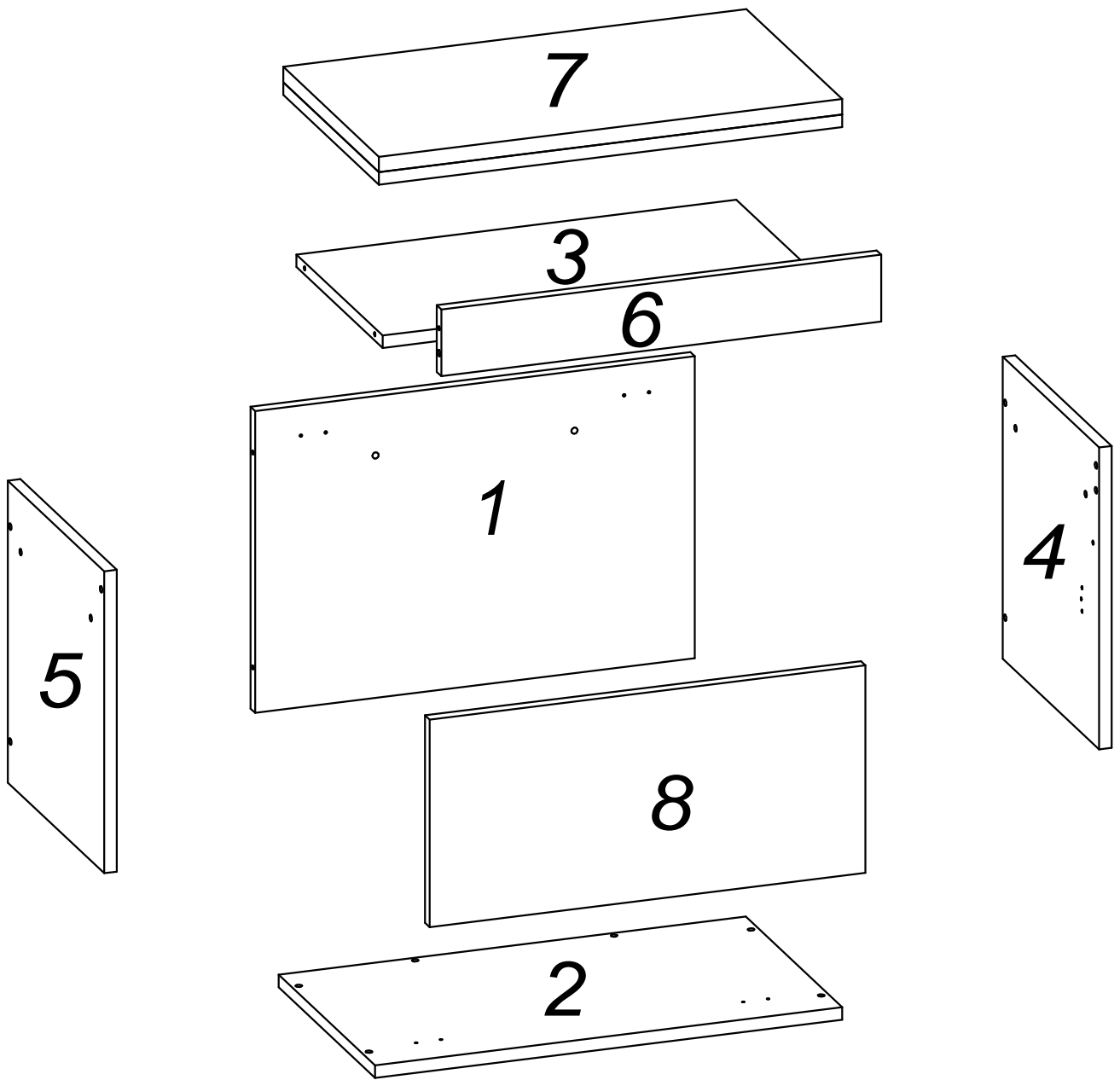
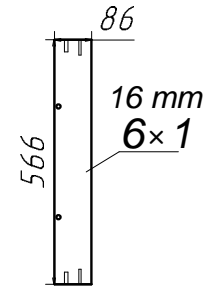
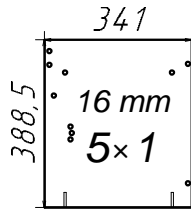
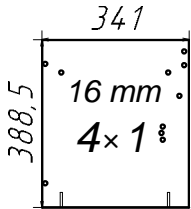
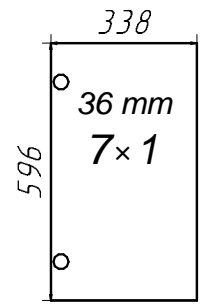
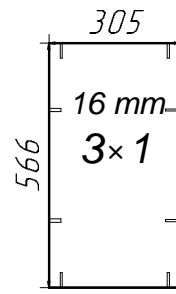
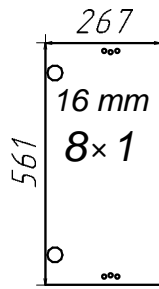
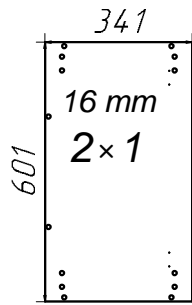
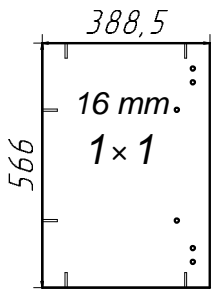
 <p>$\varnothing 6,3 \times 50 \text{ mm}$</p> <p>A1 x 18</p>	 <p>$\varnothing 12 \text{ mm}$</p> <p>A2 x 18</p>	 <p>4 mm</p> <p>A3 x 1</p>	 <p>$\varnothing 4 \times 16 \text{ mm}$</p> <p>D1 x 16</p>	 <p>$\varnothing 3 \times 16 \text{ mm}$</p> <p>D2 x 12</p>
 <p>$\varnothing 8 \times 36 \text{ mm}$</p> <p>G x 4</p>	 <p>L x 2</p>	 <p>M1 x 2</p>	 <p>M2 x 2</p>	 <p>h 20 mm</p> <p>N x 4</p>
 <p>X x 2</p>				



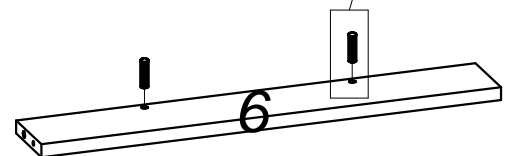
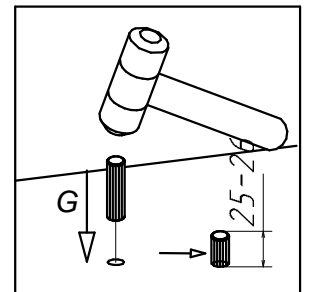
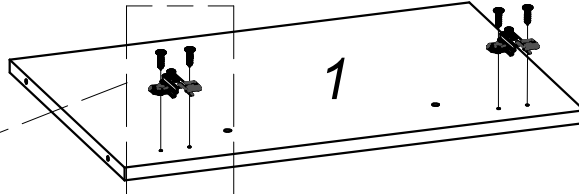
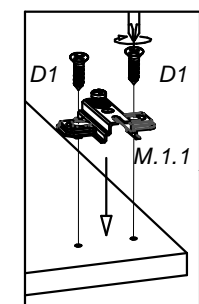
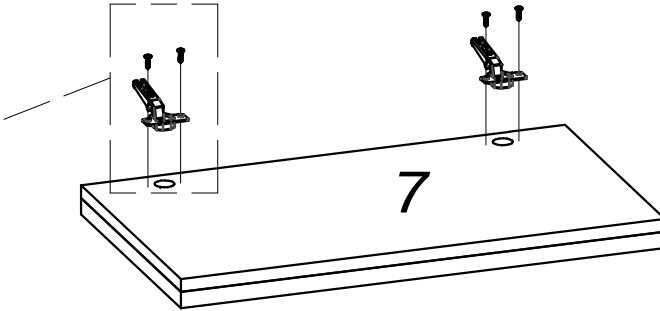
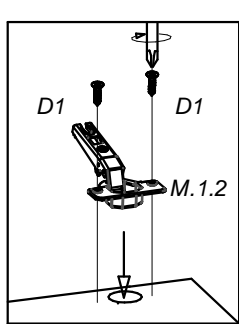
Box 1 / 2

Box 2 / 2

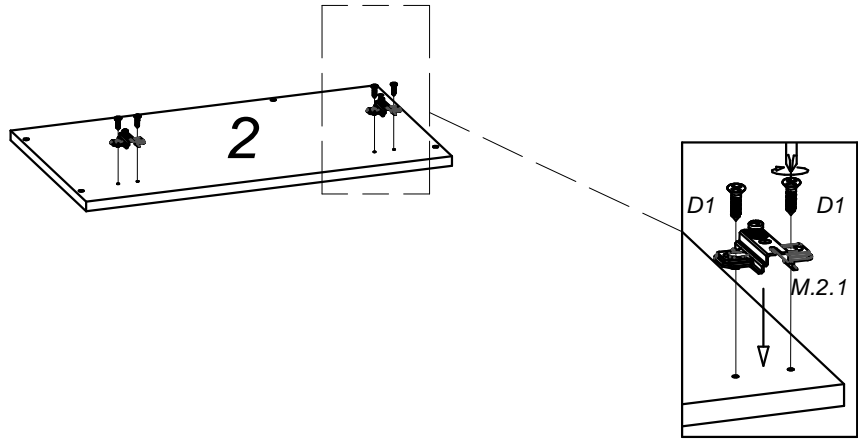
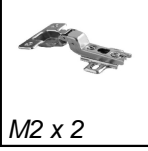


Fittings & Tools

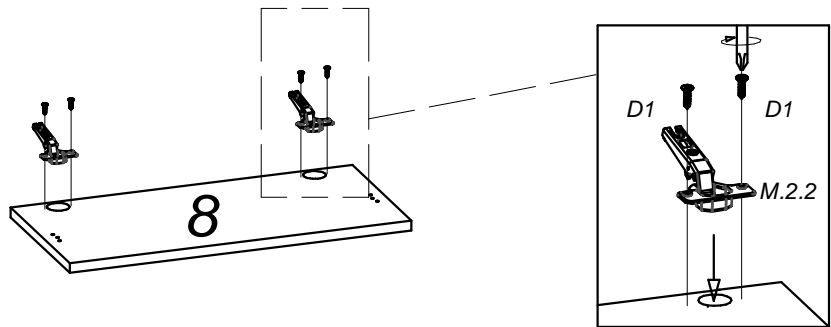
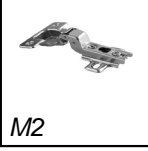
1





2

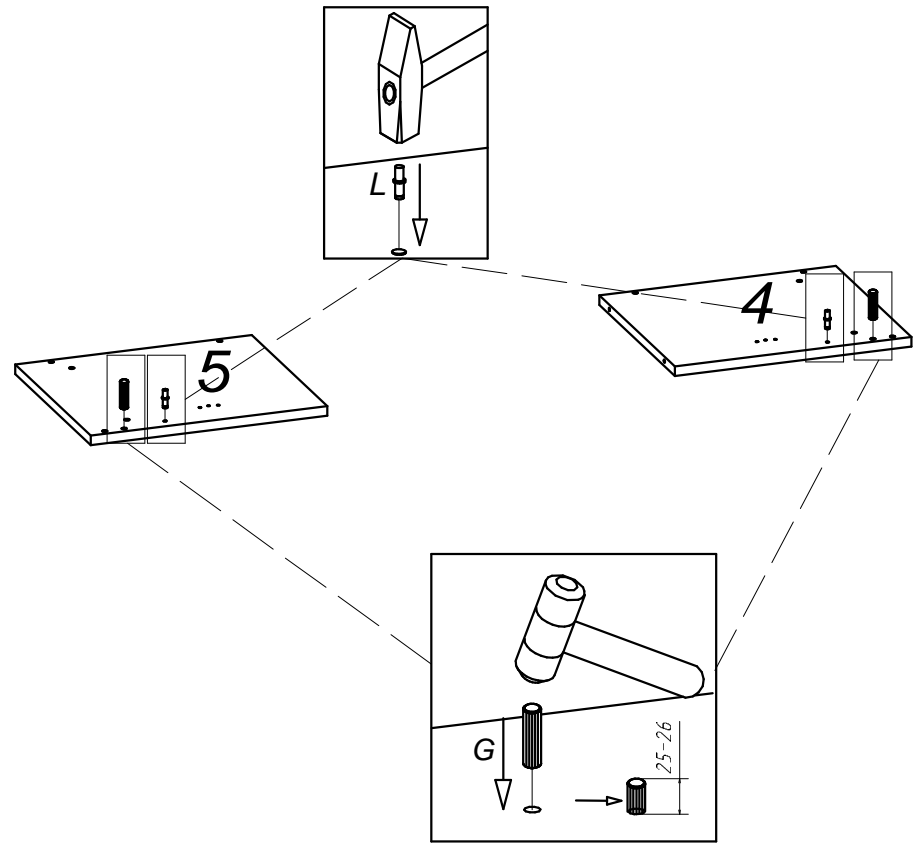


3






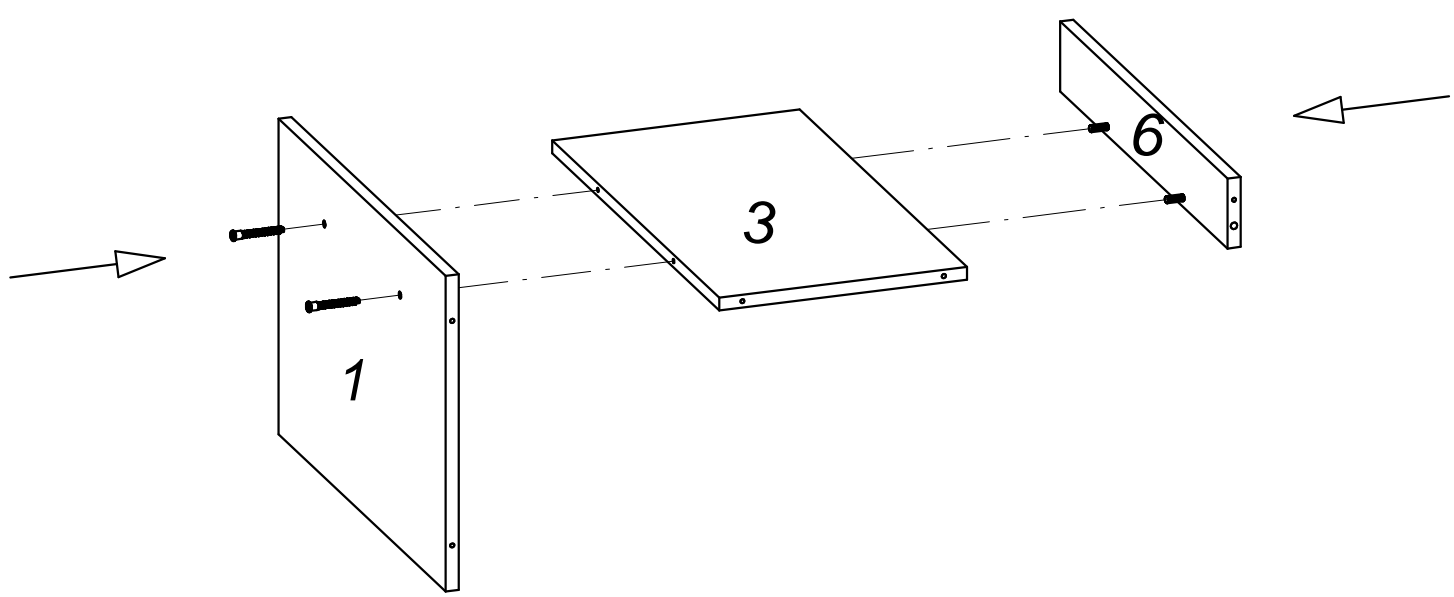
4

 ∅8x36 mm G x 2	 L x 2								
---	---	--	--	--	--	--	--	--	--






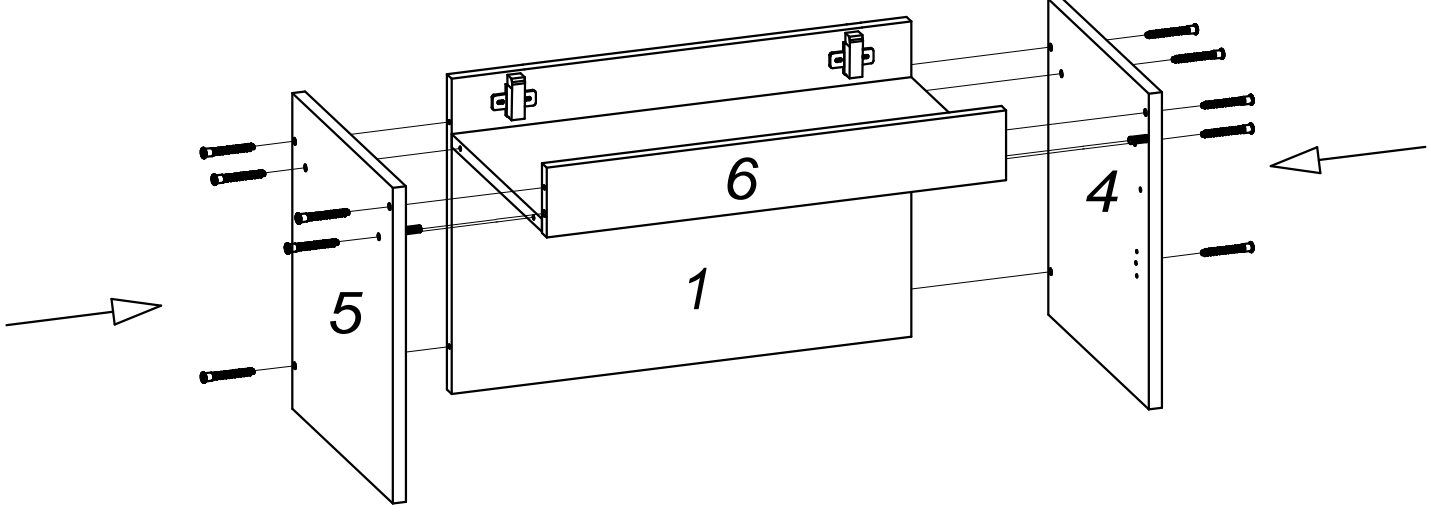
5

 ∅6,3x50 mm A1 x 2	 ∅12 mm A2 x 2	 4 mm A3 x 1							
---	---	---	--	--	--	--	--	--	--






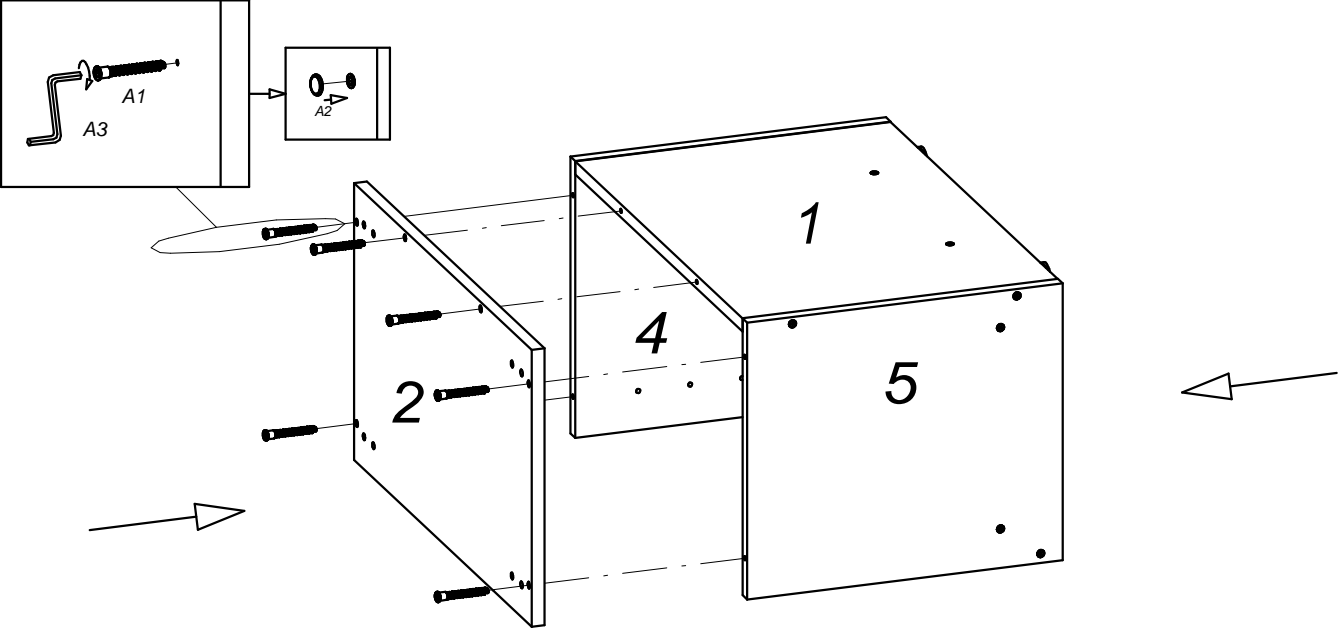
6

 ∅6,3x50 mm A1 x 10	 ∅12 mm A2 x 10	 4 mm A3 x 1							
---	---	--	--	--	--	--	--	--	--

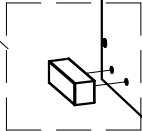
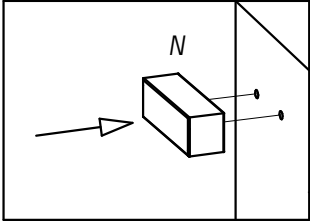
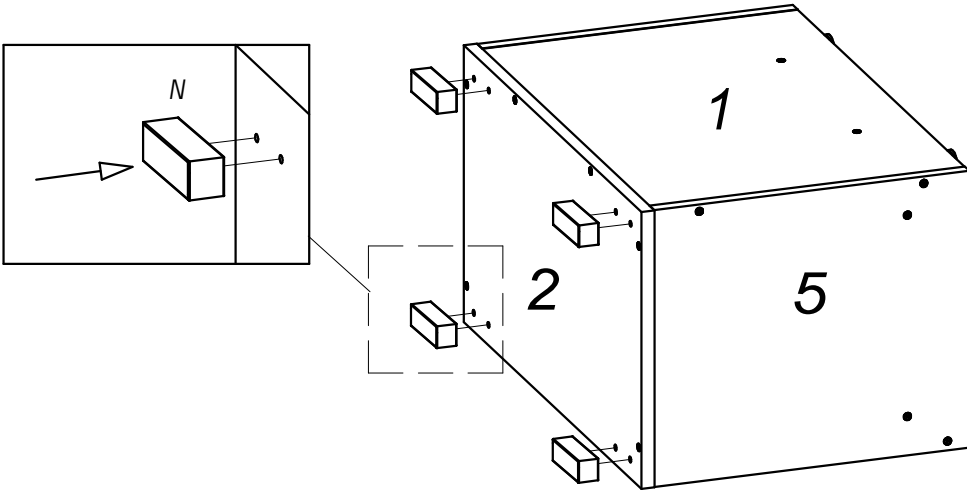


7

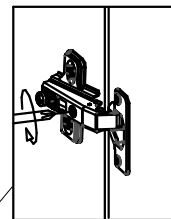
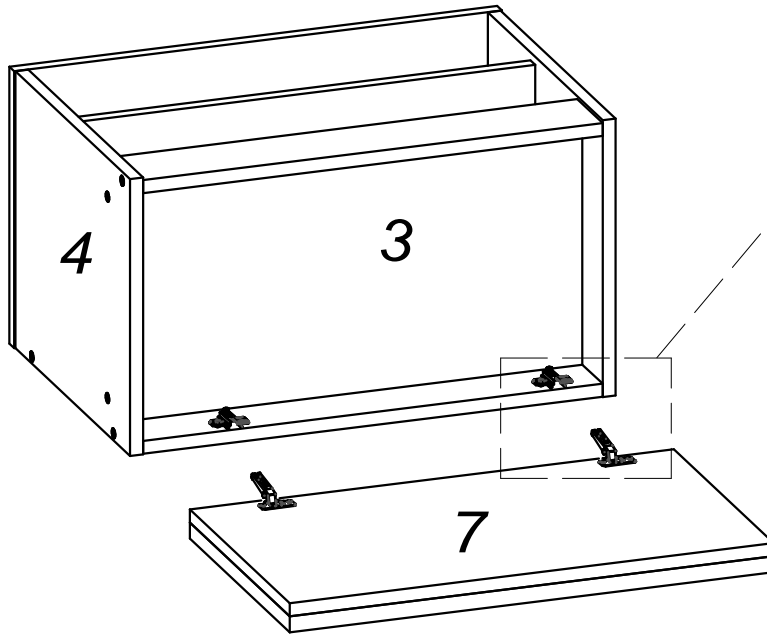
 ∅6,3x50 mm A1 x 6	 ∅12 mm A2 x 6	 4 mm A3 x 1							
---	---	---	--	--	--	--	--	--	--



8




9



10


∅3x16 mm
D2 x 12


X x 2

--	--	--	--	--	--	--	--	--	--

